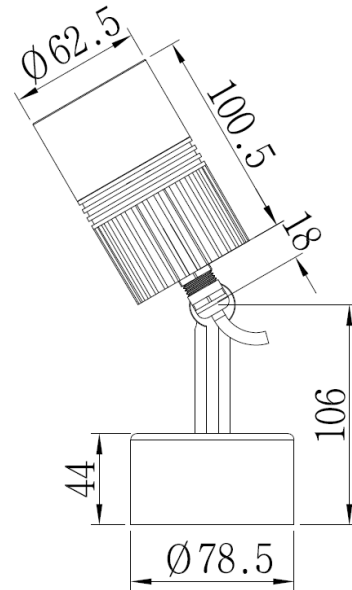


LED Weighted Pond Light



MY 80009-AI-LED
(Aluminium)

- a) Material : Aluminium (Al) with UV stabilized black powder coating.
- b) Make : Machined from solid material as well as high pressure die cast aluminium.
- c) Lamp Source : LED.
- d) Beam Angles Available : 15 ° or 30°.
- e) Lumen Output: 898 lm, 1071 lm or 1552 lm for 3000K and 898 lm, 1146lm or 1552 lm for 4000K
- f) Colour Temperature: 3000K or 4000K.
- g) Power Consumption: 6.9 W, 10.2 W or 12.6 W
- h) System Efficiency: 105 to 129 lm/W
- i) CRI: > 80 (can be higher CRI on special request).
- j) Voltage: 37V 50/60Hz.
- k) Life: 50,000 hours (L70).
- l) Glass : Tempered Glass
- m) Adjustable : 90 degrees aiming mechanism.

- n) Mounting : Surface mounted with weighted base for easy installation without the need for drilling holes.
- o) Ingress Protection Rating : IP 68
- p) Accessories Available : Internal Honeycomb louvre, Spread Lens, Colour Filter, Frosted Lens. (to be ordered separately)

Application: For highlighting water features or just creating a play of light in a fish pond or highlighting a waterfall.

Model Numbers:

MY 80009-AI-LED.083 (898 lm , 6.9W, 200 mA, 3000K) - Aluminium
MY 80009-AI-LED.103 (1071 lm , 10.2W, 300 mA, 3000K) - Aluminium
MY 80009-AI-LED.153 (1552 lm , 12.6W, 350 mA, 3000K) - Aluminium
MY 80009-AI-LED.084 (898 lm , 6.9W, 200 mA, 4000K) - Aluminium
MY 80009-AI-LED.104 (1146 lm , 10.2W, 300 mA, 4000K) - Aluminium
MY 80009-AI-LED.154 (1552 lm , 12.6W, 350 mA, 4000K) - Aluminium