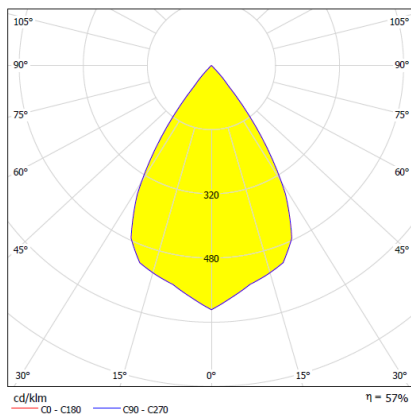
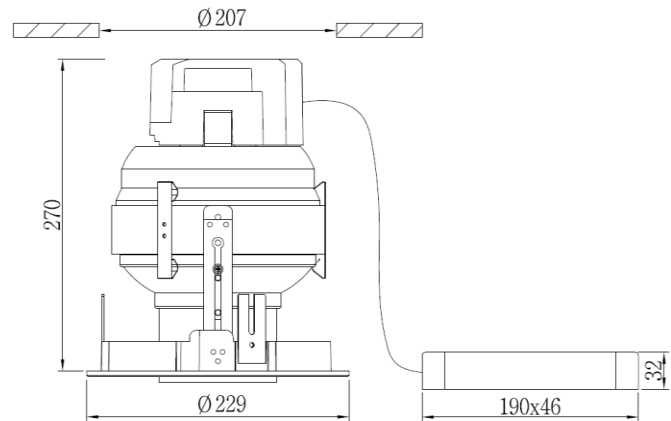


VEGA

DOUBLE FOCUS LED DOWNLIGHTS



- | | |
|--------------------|---|
| Cover | :Removable stainless steel cover in white powder coating (RAL9002).
Other colours (optional) on special request. |
| Ceiling Rim | :Die Cast aluminium in white powder coating (RAL9002). Other colours (optional) on special request. |
| Mounting | : From below ceiling. |
| Reflector | :Aluminium anodized ellipsoidal reflector in silver finish. |
| Diffuser | : Clear glass. |
| Lamp Source | :LED |
| Lumen Output | : 1509lm, 2027lm, 2528lm, 3123lm and 3524lm for 3000K and 1622lm, 2178lm, 2716lm and 3065lm for 4000K |
| Colour Temperature | :3000K or 4000K |
| Power | : 13.2W, 18.5W, 24.0W or 27.7W |

System Efficiency : 102 -130 lm/W
Average Life :50,000 hours
CRI :> 90
Voltage :37 Volts 50Hz
Optimum working
Temperature : 25 ° C
Heat Sink :Die Cast aluminium alloy for heat dissipation.
Cable : 600mm length multi core cable with plug in connector to driver.
Insulation :Class III
Protection :IP44

Model Nos:

87503.150 : 1509 lm, 13.2W, 400mA, 3000K
87503.200 : 2027 lm, 18.5W, 550mA, 3000K
87503.250 : 2528 lm, 24.0W, 700mA, 3000K
87503.300 : 3123 lm, 24.0W, 700mA, 3000K
87503.350 : 3524 lm, 27.7W, 800mA, 3000K
87504.150 : 1622 lm, 13.2W, 400mA, 4000K
87504.200 : 2178 lm, 18.5W, 550mA, 4000K
87504.250 : 2716 lm, 24.0W, 700mA, 4000K
87504.300 : 3065 lm, 27.7W, 800mA, 4000K